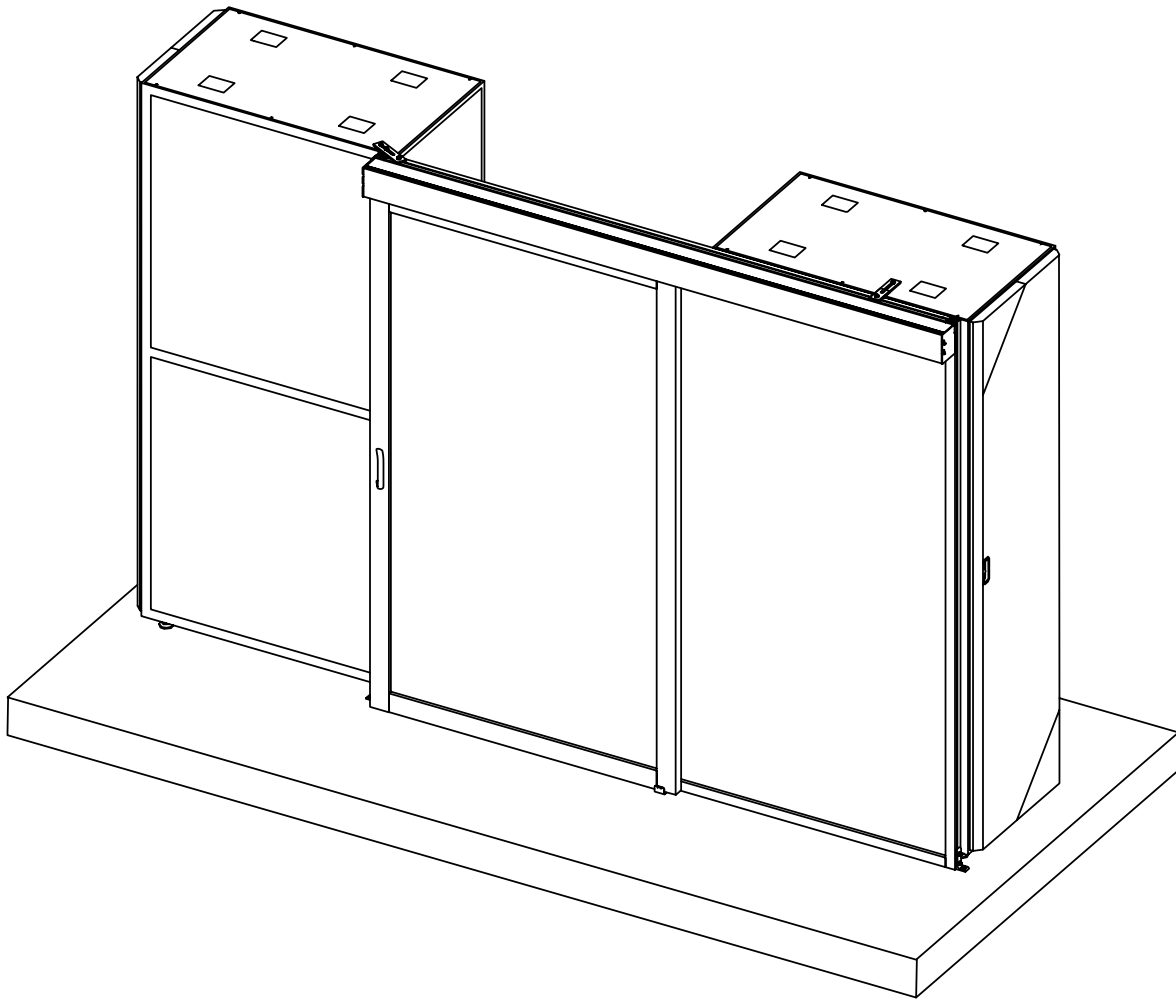




ELITE SERIES

LP Single Sliding Door

Install/User Guide



For Sales and Installation, contact:

 **Data Clean**[®]

(800) 328-2256 • www.dataclean.com



Table of Contents

Safety Information	3
Warranty	3
Pre-Assembly	4
Planning Assembly	4
Tools Required	4
Hardware Included	4
Package Contents	5
Assembly	6
Operation	16
Cleaning	16

Safety Information

- **While unpacking use caution with sharp objects such as razors to avoid damaging the product.**
- **A minimum of two people should be available to install this product.**
- **While drilling or using power tools safety glasses and gloves should be worn to avoid injury.**

1 Year Limited Warranty

Subzero Engineering warrants to the original purchaser that it will, as its sole option, repair or replace this product or any part of this product, if it confirms that the product is defective in materials or workmanship under normal use and maintenance for one year after the purchase date of the product.

This limited 1 (one) year warranty DOES NOT COVER the following:

1. Defects or damage arising from shipping, installation, alterations, accidents, abuse, misuse, lack of proper maintenance and use of other than genuine Subzero replacement parts, in all cases whether caused by a contractor, service company, the owner or any other person.
2. Deterioration through normal wear and tear.
3. Damages resulting from abuse or misuse from failure to install or maintain this product in accordance with the written instructions furnished by Subzero Engineering.
4. Use of Cleaning Products Containing Calcium Hypo Chlorite (Chlorine), Scouring Powders or pads shall not be covered.
5. Expense of normal maintenance.
6. All costs of removal, transportation, labor, reinstallation or other costs including postage and/or shipping costs to obtain warranty service shall be paid by the customer.
7. Any liability for consequential or incidental damages, all of which are hereby expressly disclaimed, and implied warranties, including those of merchantability or fitness for purpose intended are specifically excluded. (Some jurisdictions do not allow limitations on how long an implied warranty lasts, or the exclusion or limitation of incidental or consequential damages, so these limitations and exclusions may not apply to you.)
8. Responsibility for compliance with local code requirements are excluded from this warranty. (Since local code requirements vary greatly, distributors, dealers, installation contractors, and users should determine whether there are any code restrictions on the installation or use of a specific product.)

This limited warranty gives you specific legal rights. You may have other statutory rights that vary from state to state or from province to province, in which case this limited warranty does not affect such statutory rights.

Limited Warranty Contact Information

For service under these limited warranties, it is suggested that a claim be made through the contractor or dealer from or through whom the product was purchased, or that a service request (including a description of the product model and of the defect) be sent to the following address:

United States:

Subzero Engineering
228 W 12300 S
Suite 108
Draper, UT 84020
Attention: Director of Consumer Affairs

For residents of the United States, warranty information may also be obtained by calling: (801) 810-3500

Pre-Assembly

Planning Assembly

Unpack all items and compare them to the Hardware Included and Package Contents lists. Lay all parts on a flat non-abrasive surface such as cardboard. If any item appears damaged or is missing, do not assemble and contact Subzero Engineering.

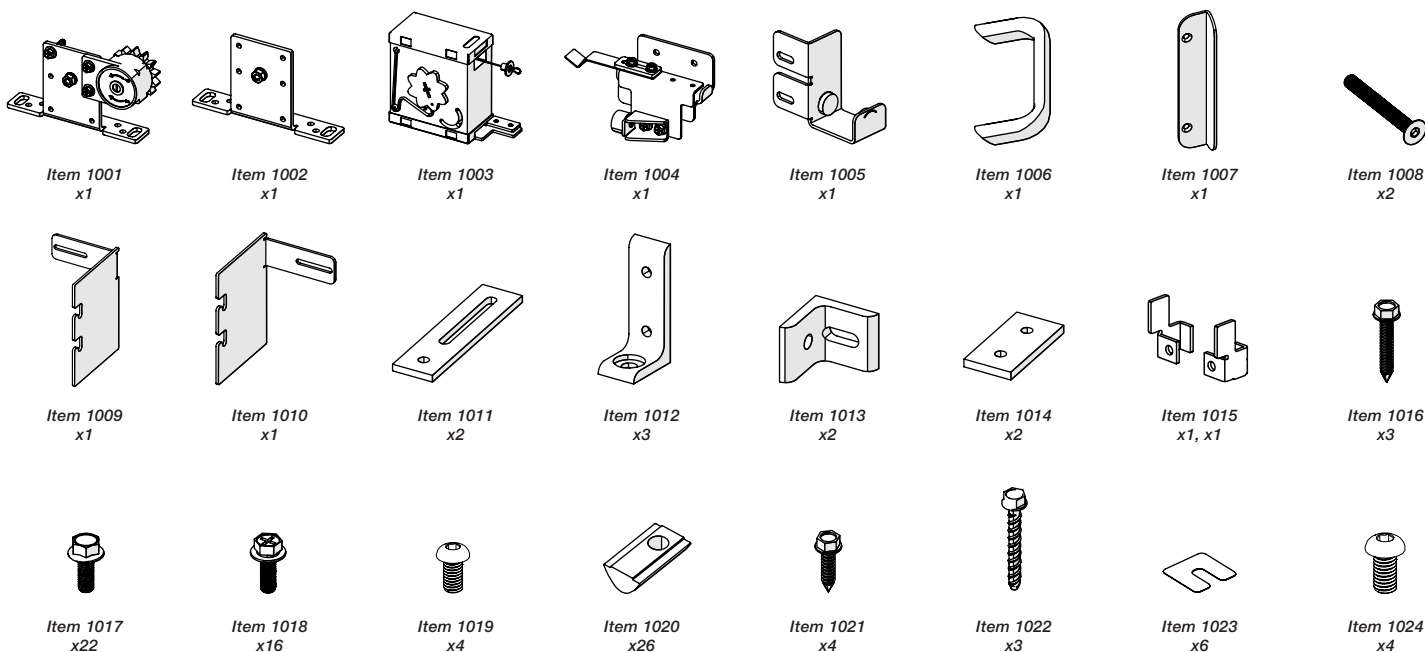
Tools Needed

TOOLS PROVIDED	ADDITIONAL TOOLS REQUIRED
4mm Hex Key	Powered Drill
5mm Hex Key	1/2" Deep Socket
	3/8" Socket
	Tape Measure
	Level
	Pencil
	10mm Socket
	Phillips Head Screwdriver
	Flat Head Screwdriver



It is recommended that at least two people assemble this product.

Hardware Included



Hardware is not shown to scale.



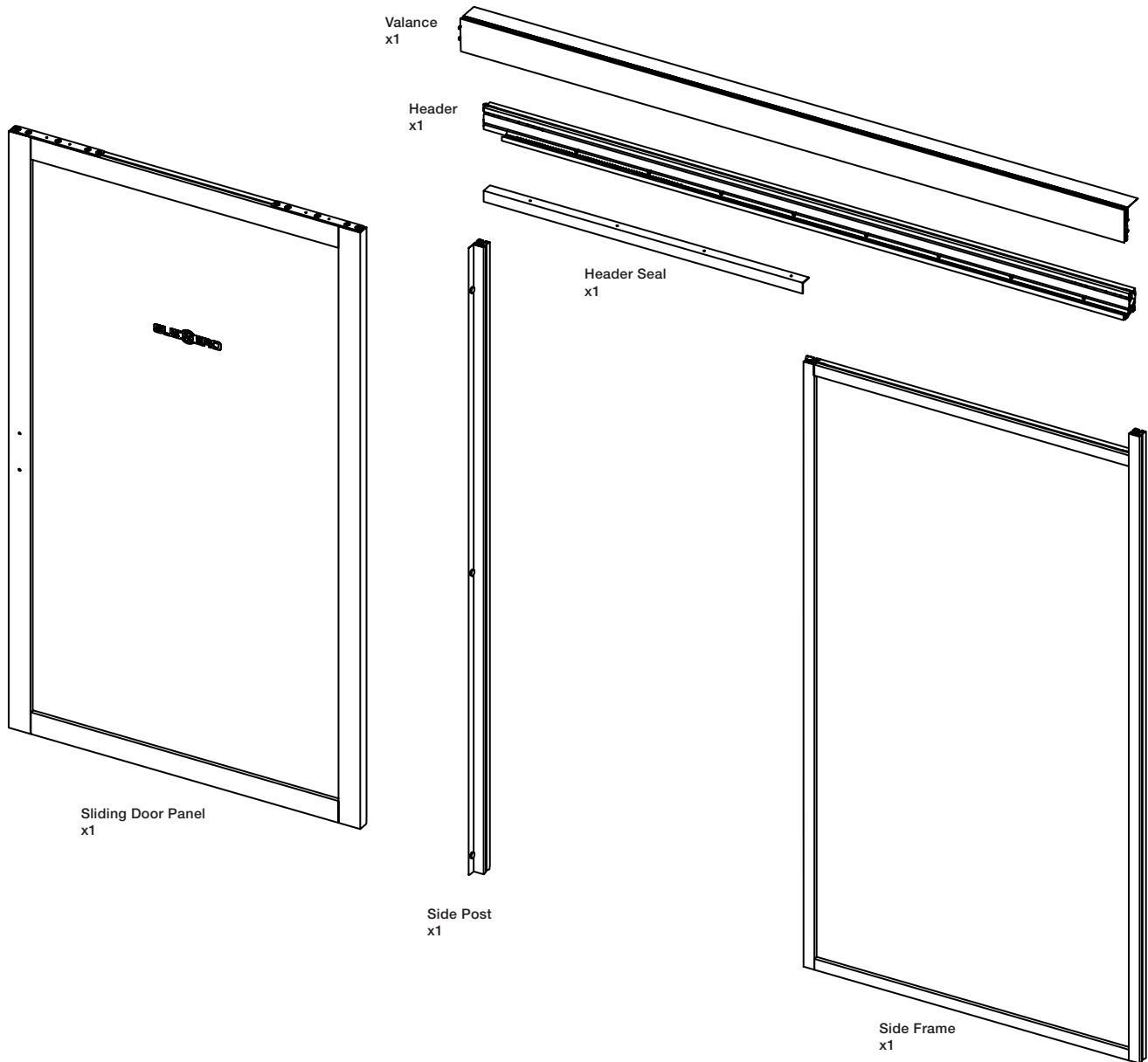
Threads on hardware may be shown as removed.

Instructions and components shown are for a LEFT HAND DOOR.

Door Package – Main Components

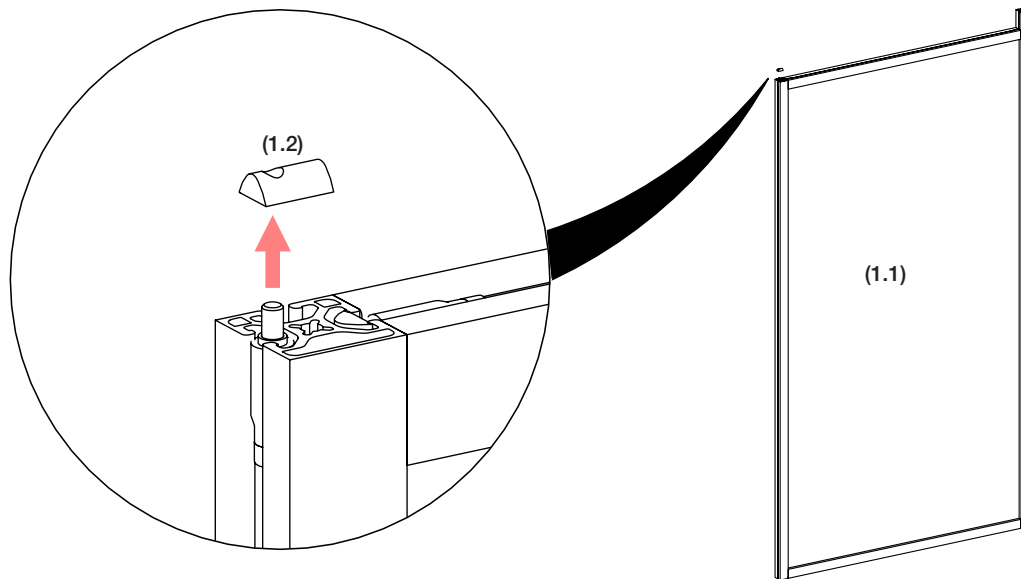
NOTE

Instructions and components shown are for a LEFT HAND DOOR.



Assembly

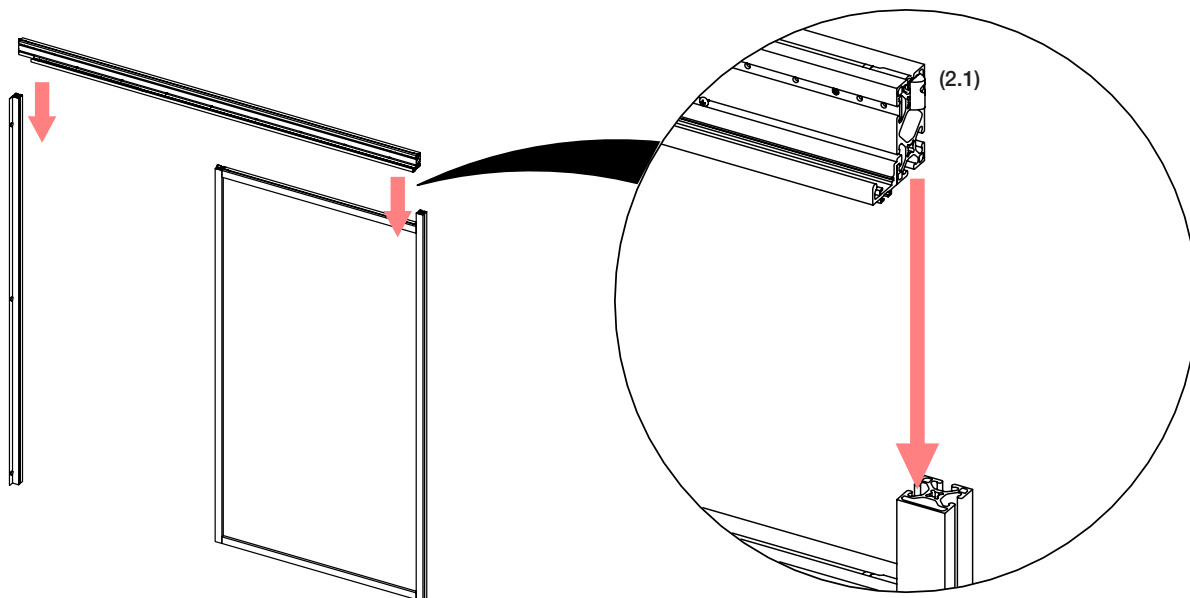
1 – Remove T-Nuts From Frame



(1.1) It is recommended that you lay the frames flat on their backs during steps 1-7.

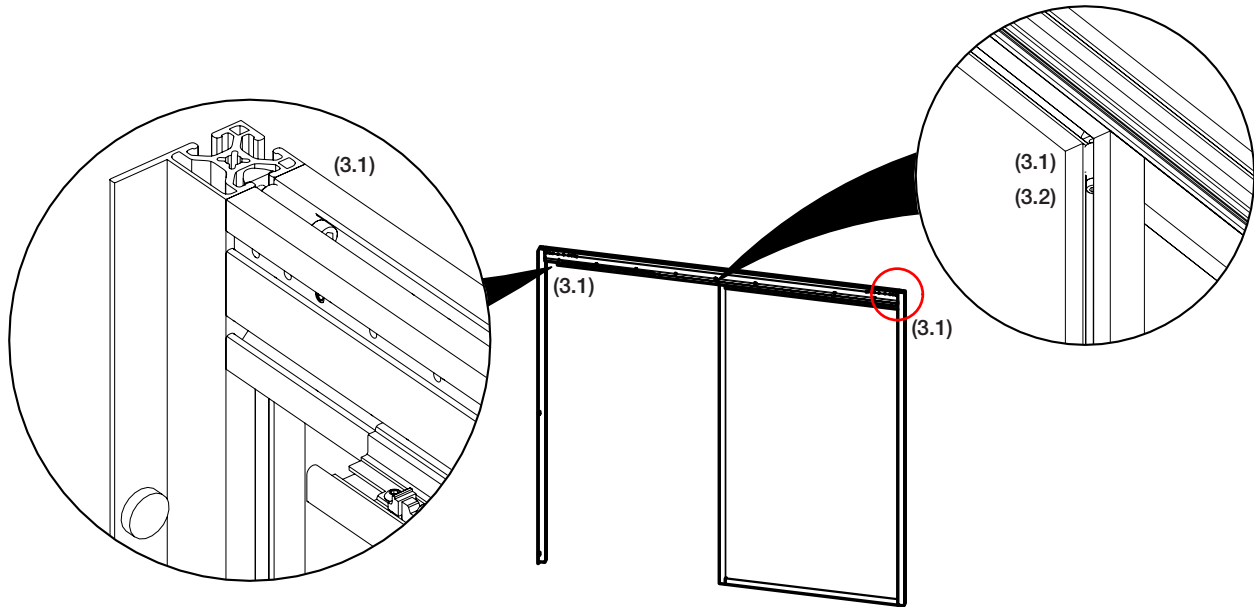
(1.2) Save the t-nut you remove for use in step 3.2.

2 – Slide the Header in Place



(2.1) Slide the t-nut on the Header in the slot of the frame on both sides of the Header.

3 – Fasten the Frame



(3.1) Tighten the (4) Auto Fasteners as shown.

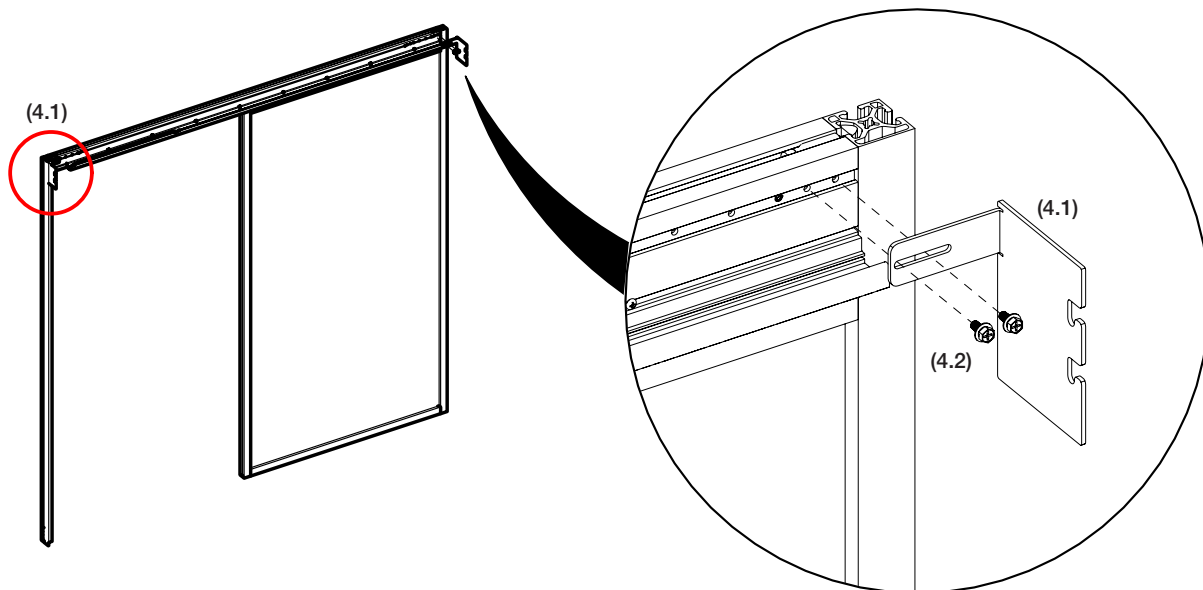
(3.2) Remember that t-nut?

NOTE

Use 5mm hex-blade
(4 Places)



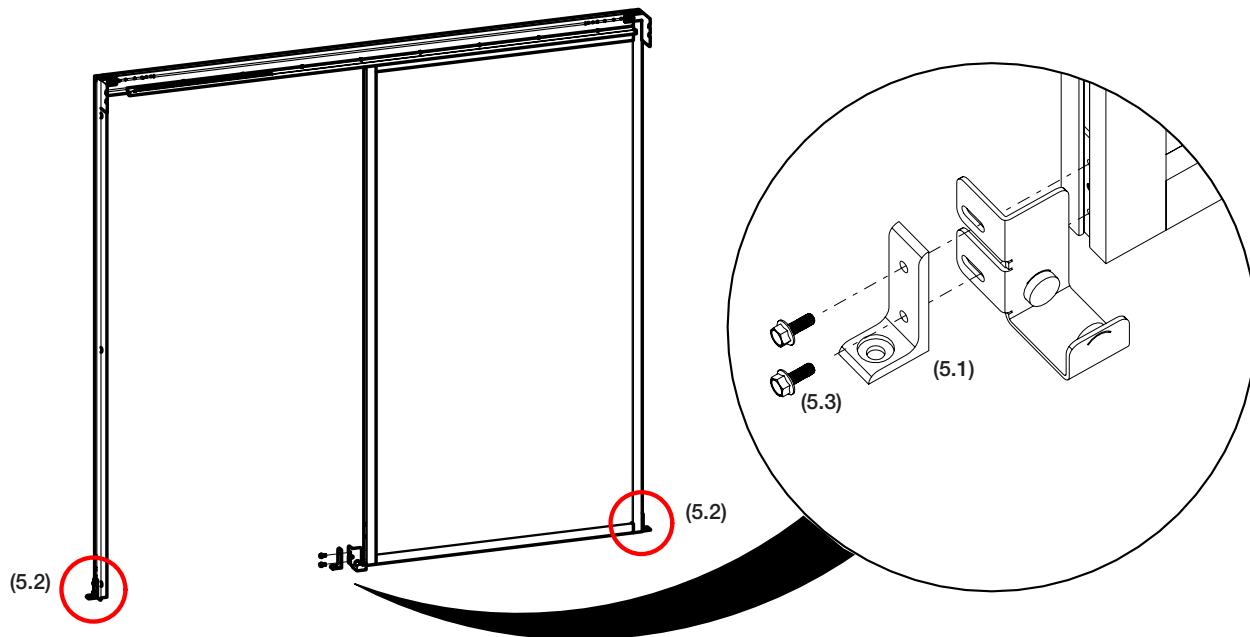
4 – Attach Valance Mounts



(4.1) Attach one Valance Mount Bracket on each side of the frame. (Item 1009, 1010)

(4.2) Use x4 Item 1018.

5 – Attach the Feet and Floor Guide

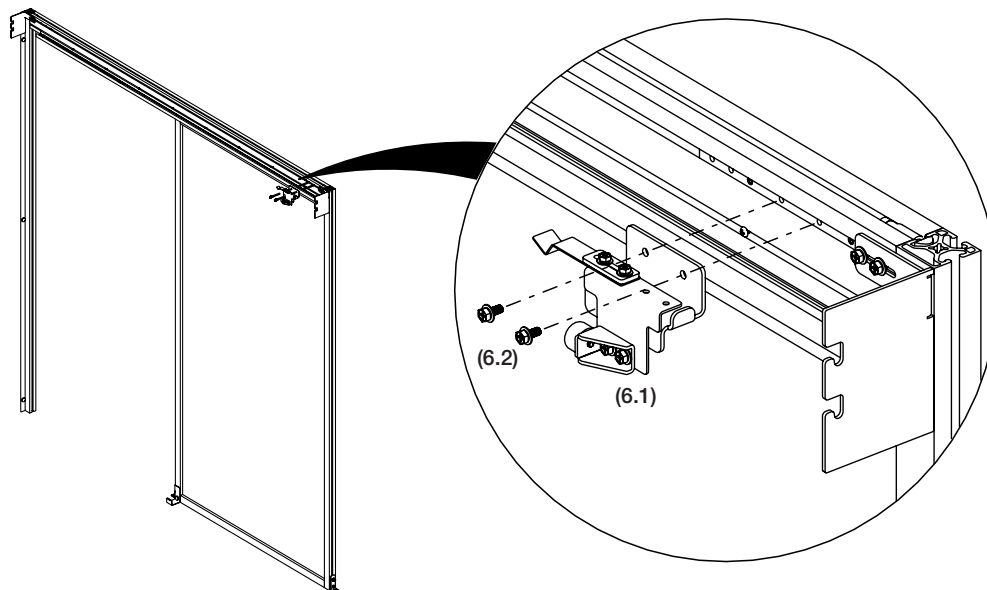


(5.1) Attach the Foot & Floor Guide to the inner side of the frame panel. (Item 1005, 1012)

(5.2) Attach x2 feet on each side of the door frame. (Item 1012)

(5.3) Attach the feet using x6 Item 1018.

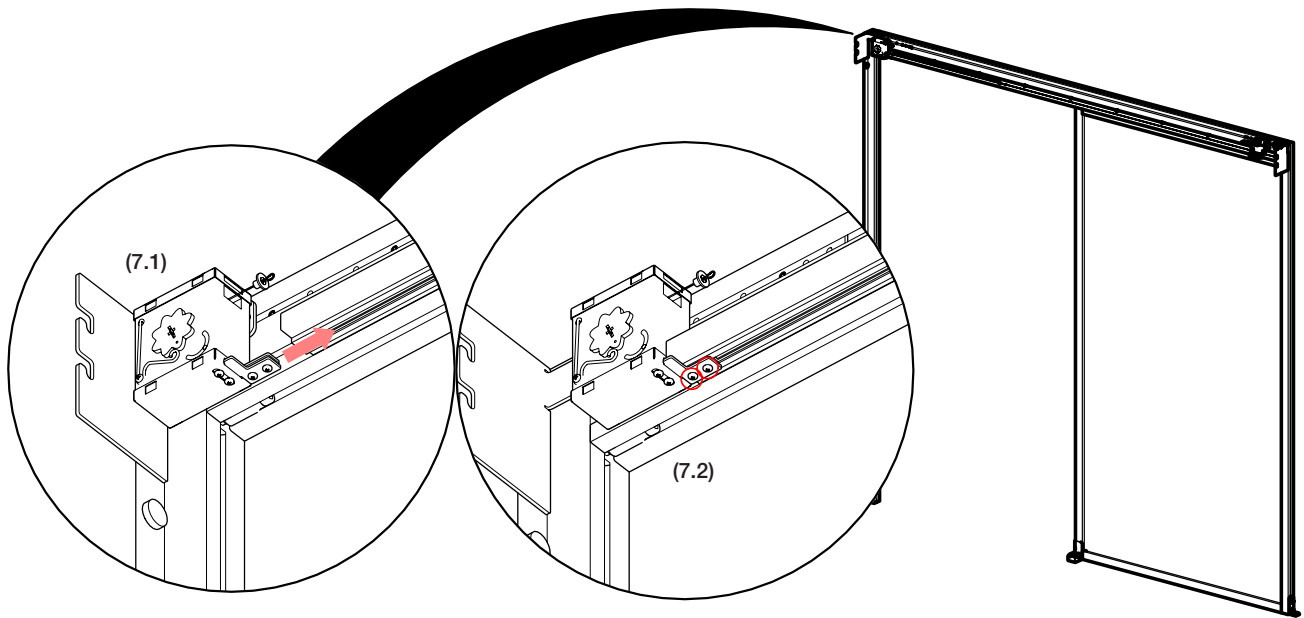
6 – Attach Hold-Open Latch



(6.1) Attach the Hold Open Latch to the frame.

(6.2) Attach using x2 Item 1018.

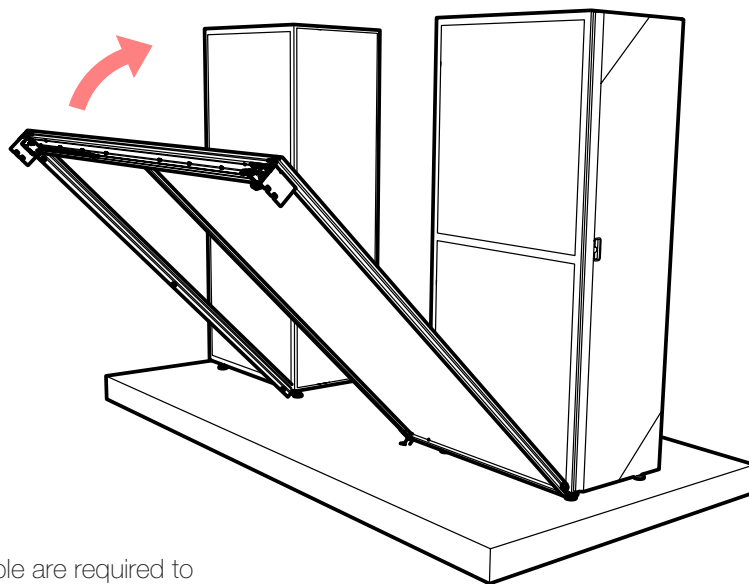
7 – Attach Pull-Spring



(7.1) Attach the Pull Spring to the Header. (Item 1003)

(7.2) Complete the above by sliding the steel nut into the slot, and tightening with a phillips head screwdriver.

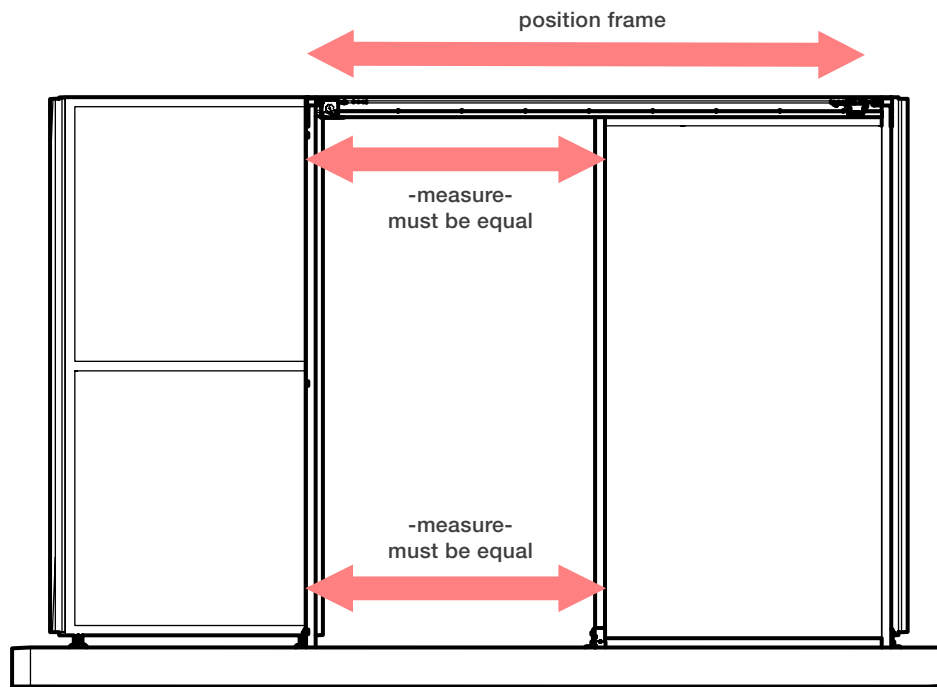
8 – Stand the Frame Up



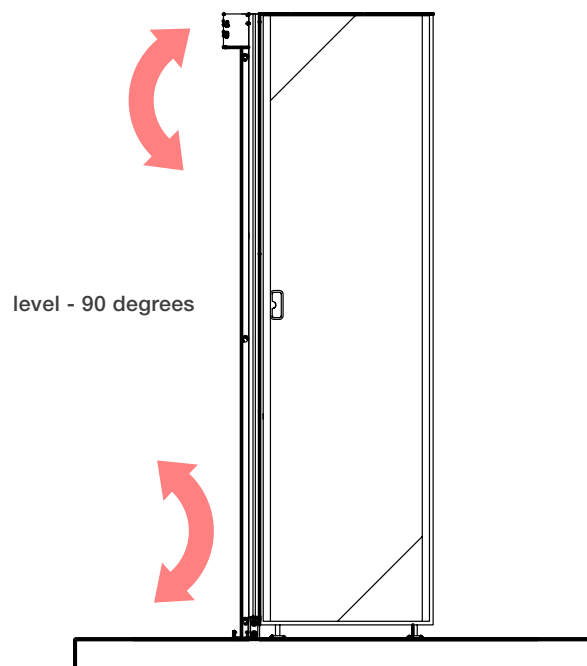
NOTE

Two people are required to stand the frame into position.

9 – Position and Square



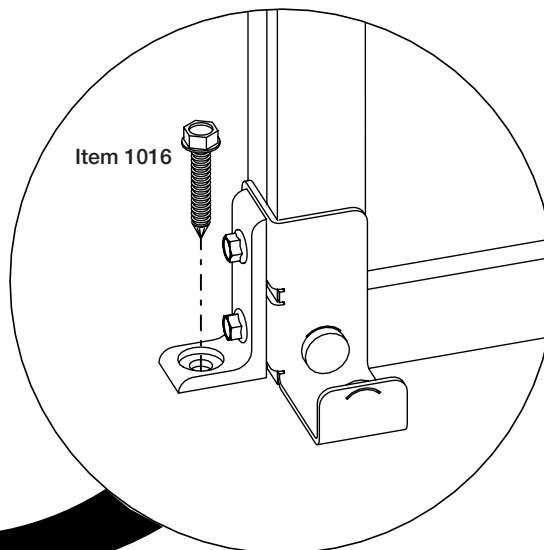
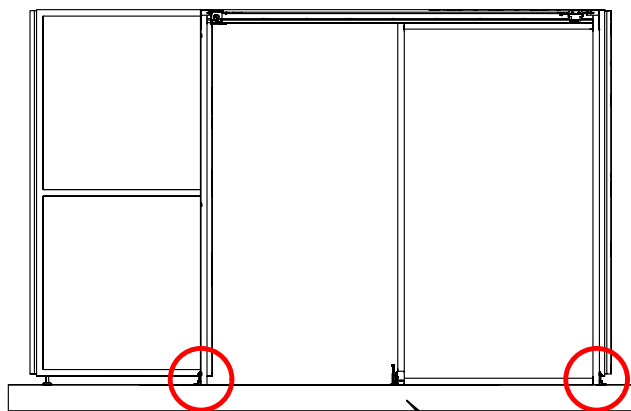
10 – Level the Frame



11 – Fasten to the Floor

NOTE

Use a vacuum while drilling to ensure that particulates do not enter server equipment.



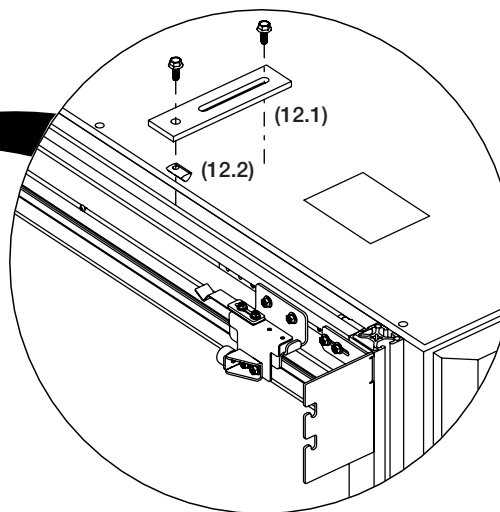
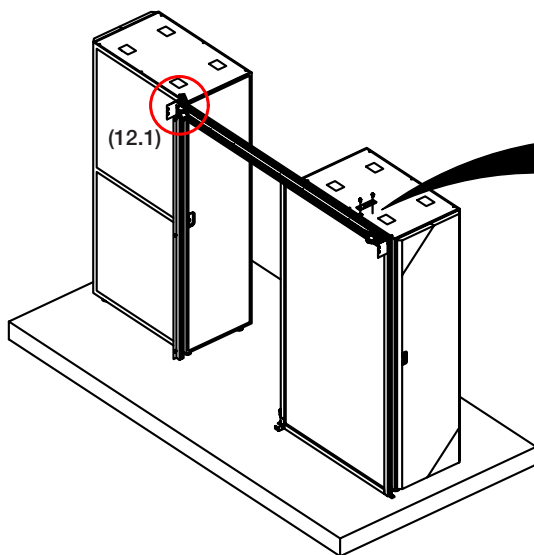
(Step 1) Drill 1/4" pilot hole.



(Step 2) Screw to floor.

(Step 3) Repeat steps 1 & 2 on the sides of the frame.

12 – Secure to the Cabinets



(12.1) Attach the frame to the cabinets or above infrastructure in at least two points.

(12.2) Secure to the cabinets using x2 Item 1011, x4 Item 1017, x2 Item 1020.

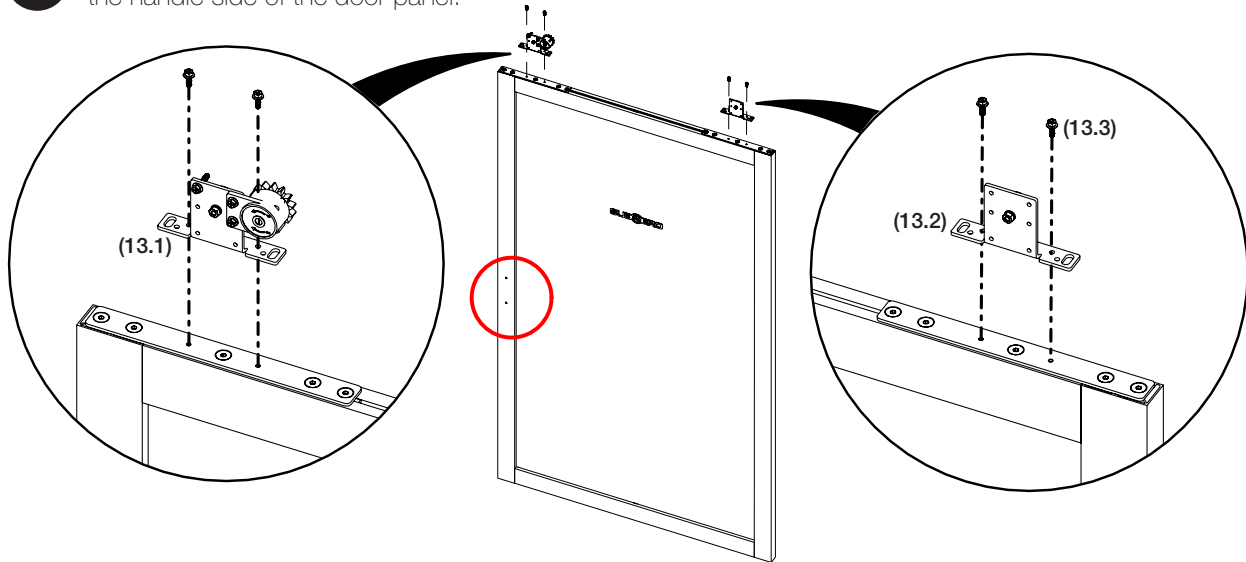
NOTE

There are many ways to secure to the server cabinet. Make sure you select a method appropriate for your environment.

13 – Attach the Wheels

NOTE

Ensure that the wheel with the gear is on the handle side of the door panel.

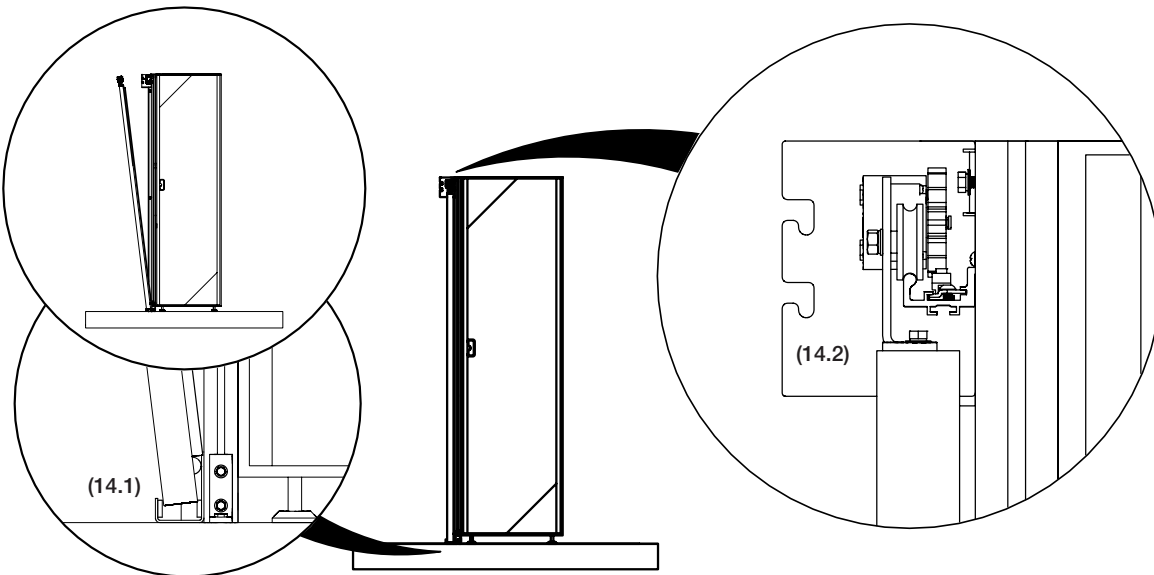


(13.1) Attach Item 1001 to the side of the door panel that has the handle holes.

(13.2) Attach Item 1002 to the opposite side of the door panel.

(13.3) Attach using x4 Item 1018.

14 – Hang the Door Panel



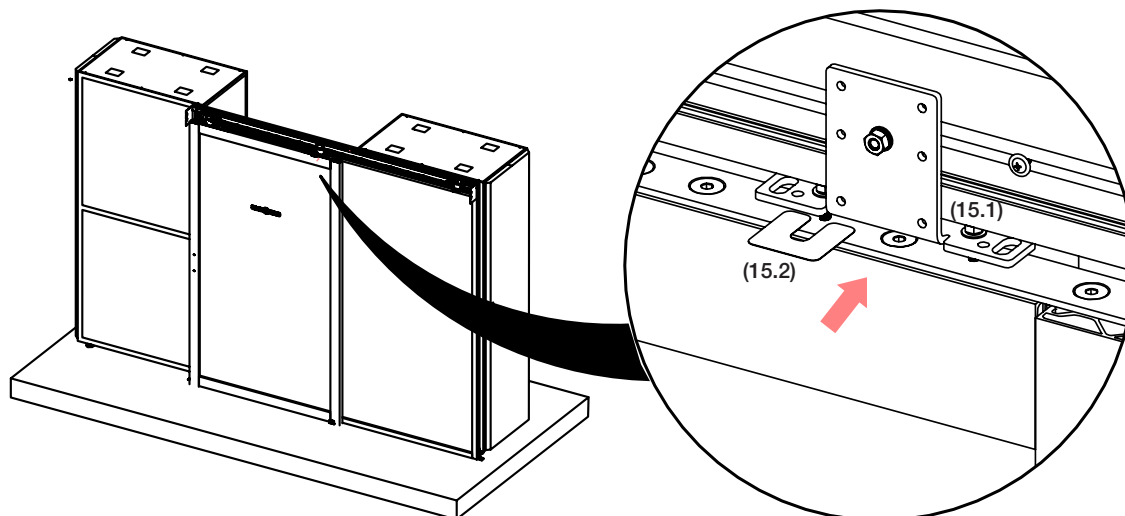
(14.1) Place the bottom of the door panel into the door guide.

(14.2) Hang the door panel on the rail.

15 – Shim (If Needed)

NOTE

The door may not need shimming. Determine this by checking the 'reveal' of the door. The 'reveal' is the surface where the door panel meets the side post. If light is visible where the door meets the post, or there is a gap that is larger on either the bottom or the top, shimming may be required.

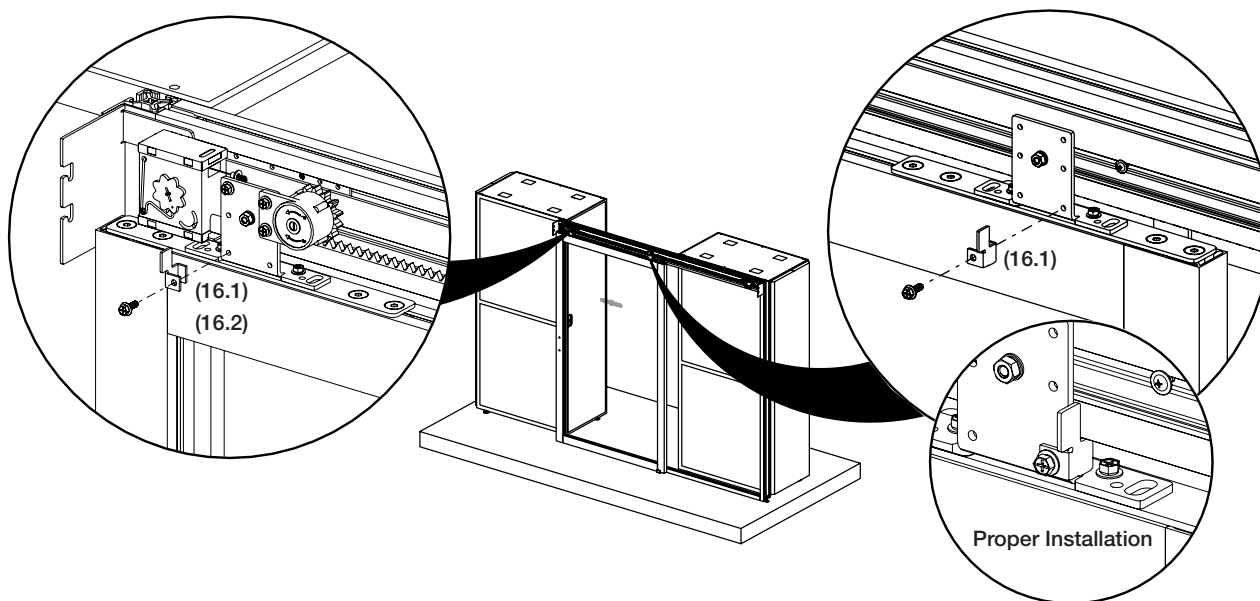


(15.1) Loosen but do not remove the wheel bracket screws.

(15.2) Slide Item 1023 under each side of the wheel bracket to shim the door.

(15.3) Multiple shims can be used, but an equal amount of shims are required on each side of the wheel.

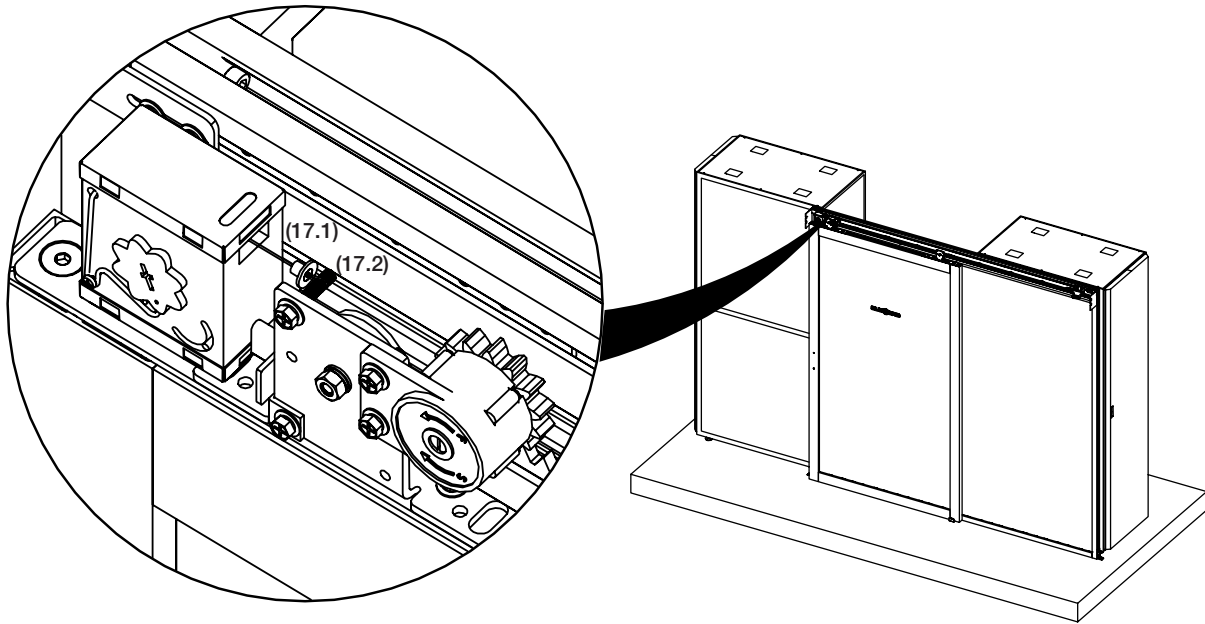
16 – Attach Anti-Jump Clips



(16.1) Screw x1 Item 1015 to each wheel bracket. (Item 1015 is Left and Right Hand Specific)

(16.2) Attach using x4 Item 1018.

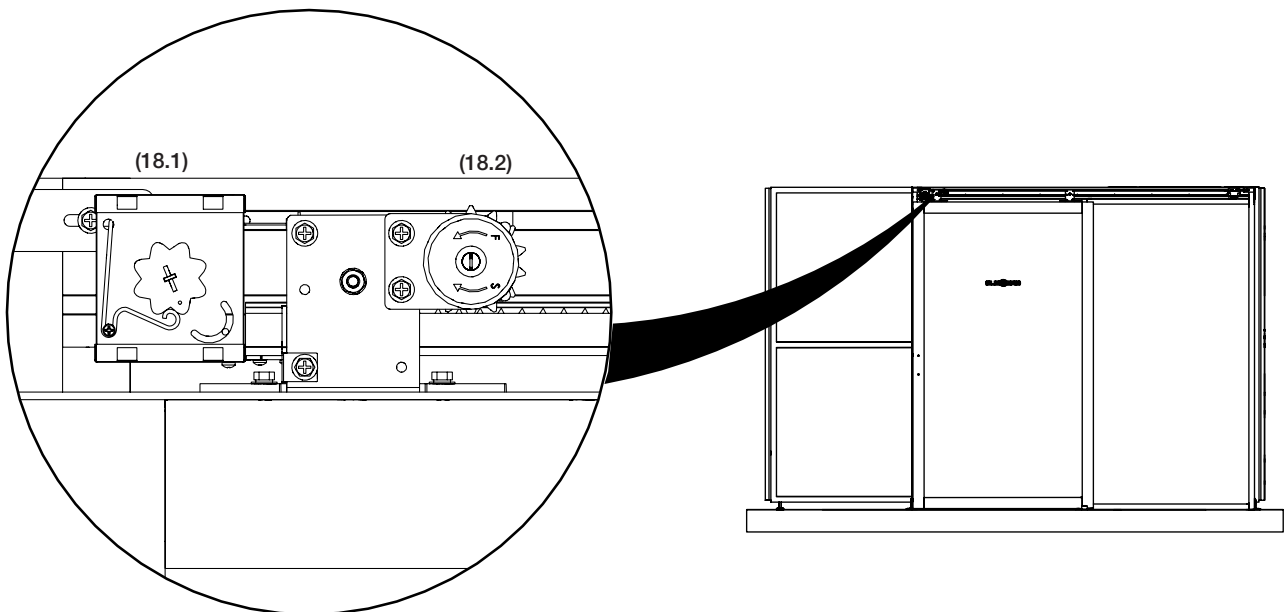
17 – Attach Closer Cable



(17.1) Pull out the chord on the Pull Spring.

(17.2) Loop the chord over the screw on the wheel bracket.

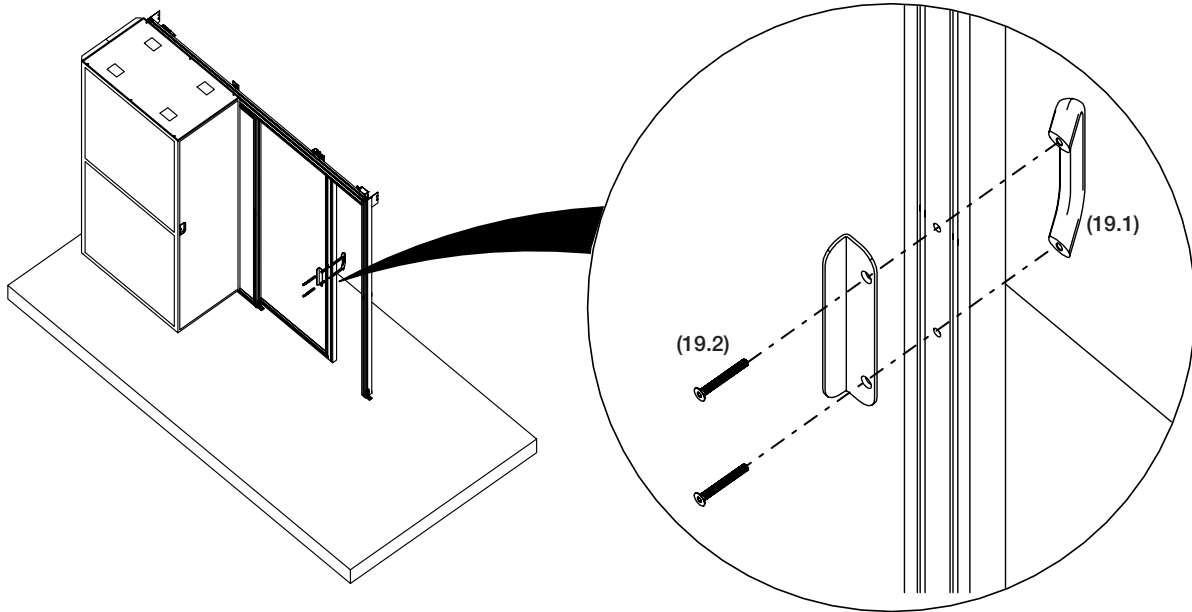
18 – Adjust the Close



(18.1) Adjust the closing speed of the door with a flat head screwdriver.

(18.2) Adjust the dampening of each door close with a flat head screwdriver.

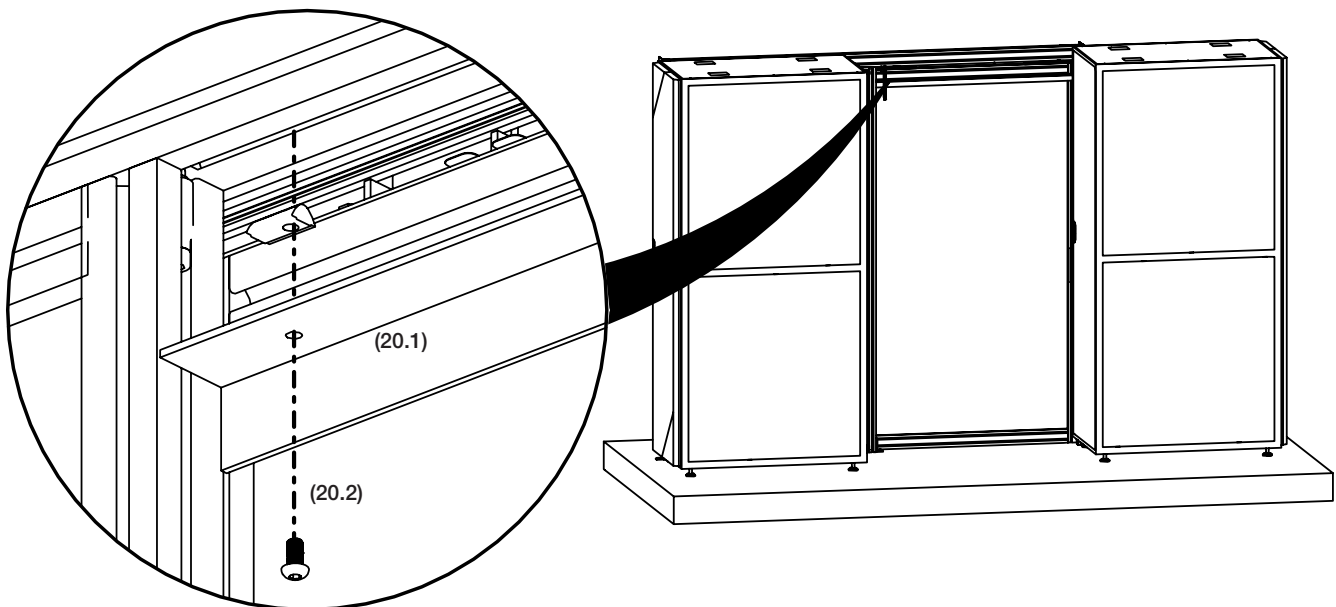
19 – Attach the Handles



(19.1) Attach the Front and Rear Handle as shown. (Item 1006 & 1007)

(19.2) Attach using x2 Item 1008.

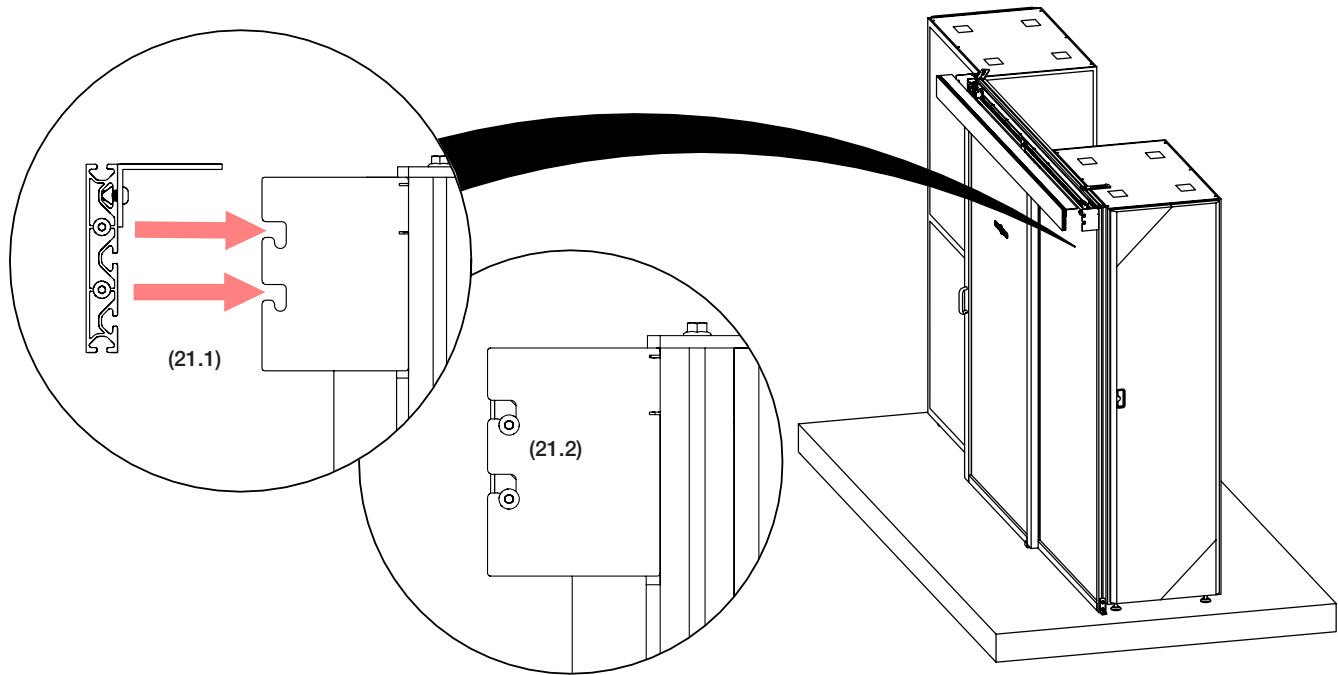
20 – Attach the Header Seal



(20.1) Attach the Header Seal on the back of the door.

(20.2) Attach using x4 Item 1019 and 1020.

21 – Set the Header



(21.1) Slide the Valance Screws into the Header Mounts.

(21.2) Tighten the x4 screws with the provided 4mm hex key to lock the Valance.

Operation

- Do not slam the door shut.
- Do not open the door using excessive force.
- Do not pry or try to open the door in a hinged fashion.

Cleaning the Panel Insert

- Use a soft cloth, mild detergent, and water.
- Do not use any abrasive pads or materials.
- Do not use harsh solvents or thinners.

Design and specifications are subject to change without notice.

Proprietary Notice: The information contained in this user guide is the sole property of Subzero Engineering. Any reproduction in part, or as a whole without the written permission of Subzero Engineering is prohibited.

V 1-0_05/30/2017 © 2017 Subzero Engineering. All rights reserved.

For Sales and Installation, contact:

 **Data Clean**[®]

(800) 328-2256 • www.dataclean.com

