

Installation Guide KoldLok Round 4" Split Integral Grommet

General Information

Effective Installation of Cables

In order to minimize any air loss from under the raised floor plenum, make sure to allow for adequate slack in the cables. If the cables are under too much tension, the grommet may be pulled apart, resulting in a gap that will cause an increase in the flow rate of air escaping from under the raised floor.

Maintaining Proper Cooling of Equipment

Failure to follow computer manufacturer's guidelines for maintaining proper cooling may result in the overheating of equipment. Before sealing cable cutouts, ensure that there is adequate air flow to the intake side of computer equipment or cabinets through devices such as perforated floor tiles or grates. Achieving proper airflow to the intake side of computer equipment and/or cabinets is the responsibility of the customer.

Safety Requirements

Installers must be familiar with standard safety and risk management practices when working in raised floor environments and when modifying floor tiles.

Customer Support

If you have any questions, please contact us at:
(888) 982-7800, M-F, 8AM-5PM MST or email
us at: info@upsite.com

Upsite Technologies, Inc.
8100 Lang Avenue NE, Suite 301
Albuquerque, NM 87109
P: (505) 798-0200 | F: 888-900-1197

U.S. Patent no. 6,632,999 and International
Patents Pending | P/N 60051 Rev. A © 2011



Made in China

upsite
technologies

888.982.7800 upsite.com

Limited Warranty

Upsite Technologies, Inc. (the *Company*) warrants to the original purchaser that products delivered hereunder will be free of defects in materials and workmanship for a period of twelve (12) months from the date of purchase (the "Warranty Period").

The *Company* shall, at its option, within the Warranty Period, either repair or replace free of charge, any product or part thereof found, upon the *Company's* inspection, to be defective in materials and workmanship, and will return the repaired or replaced product to the purchaser at *Company's* expense.

For warranty service and shipping instructions, contact the *Company* at the telephone number shown below. If the product is under warranty and the defect appears to be covered by this Limited Warranty, the *Company* will issue to the purchaser a Notice of Authorization For Warranty Return. Products returned to the *Company* for warranty service must be accompanied by a statement of defect, the Notice of Authorization for Warranty Return provided by the *Company*, and proof of purchase.

This Limited Warranty is conditioned on the following:

1. The *Company* must be notified within 12 months of purchase and have been given the opportunity of inspection by return of any alleged defective product free and clear of all liens and encumbrances to the *Company* or its manufacturer; and
2. The product must not have been abused, misused, or improperly maintained, and/or repaired during such period; and
3. Such defect has not been caused by corrosion or exposure to other than ordinary wear and tear.

The *Company* makes no other express or implied warranty or representation of any kind whatsoever including any warranty of merchantability or fitness for a particular purpose and all such other warranties are hereby included.

The *Company's* maximum liability hereunder is limited to the purchase price of the product. In no event shall the *Company* be liable for any consequential, indirect, incidental, or special damages of any nature arising from the sale or use of the product, whether based in contract, tort, strict liability, or otherwise.

Note: Some jurisdictions do not allow limitations on incidental or consequential damages or how long an implied warranty lasts, so that the above limitations may not fully apply. This warranty gives specific legal rights and you may also have other rights which may vary from jurisdiction to jurisdiction.

For complete warranty and repair information call (888) 982-7800.

Register your product online at www.upsite.com/warranty to initiate your warranty.

KOLDLOK®

KoldLok® Round 4" Split Integral Grommet

Item № 40001

Installation Guide

Tools and Preparation Required for Installation

Installation Procedures

General Information

Warranty



Each carton contains the following items:

KoldLok Round 4" Grommets (**10**)

Self-Tapping #8 Screws (**40**)

Installation Guide (**1**)

For Sales and Installation, contact:

Data Clean®

(800) 328-2256 • www.dataclean.com

Installation Guide

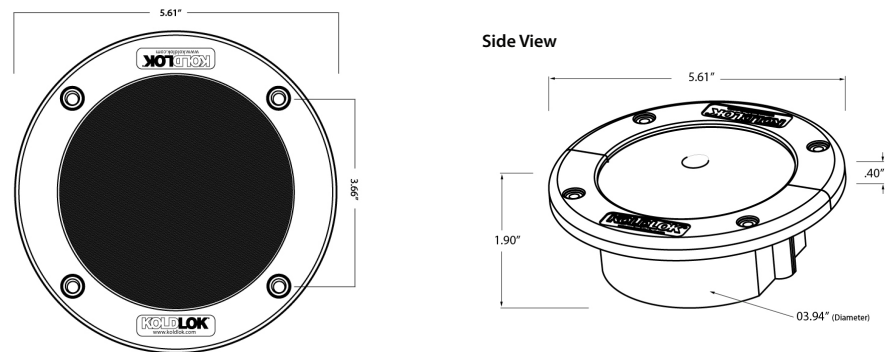
KoldLok Round 4"™ Split Integral Grommet

Tools and Preparation Required for Installation

Tools Required:

- Phillips head screwdriver or drill
- Cutting tool (per floor tile manufacturer recommendations)
- Tape measure

Product Drawings



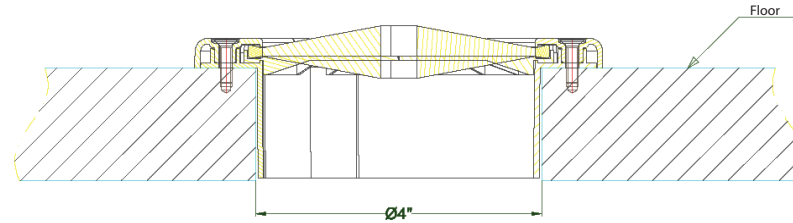
Cutting Raised Floor Tiles

Each raised floor tile manufacturer provides instructions to properly and safely modify their products. Installers must be familiar with and observe tile manufacturer's recommendations with regard to applicable tools, cutting procedures, the design load capacity of the cut tile, and any additional underfloor support requirements for cut raised floor tiles.

Installation Procedures

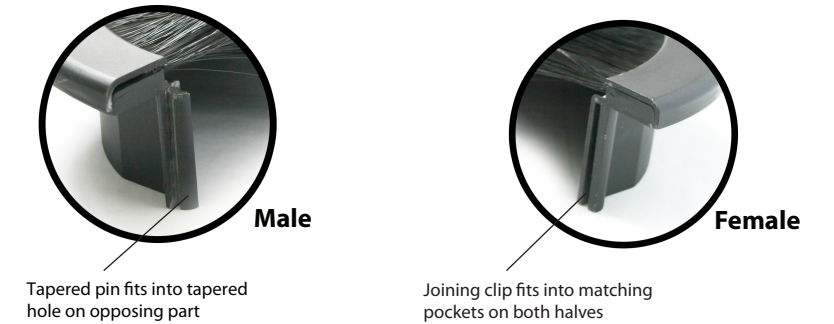
Installation of KoldLok Round 4"™ on the Tile Interior

1. Cut a 4" (up to 4 1/8") or 102mm (up to 105mm) diameter hole in the floor tile. Ensure that any burrs that resulted from cutting the floor tile have been removed. It is not necessary to dress the cutout when installing a KoldLok Round 4" grommet. The grommet dresses the edge satisfying NFPA requirements.
2. Test fit the KoldLok Round 4" grommet to the floor tile. Ensure there is no binding and that the grommet flange rests on the tile all the way around. Center the grommet in the hole and carefully mark the center of each of the four mounting holes.
3. After test fitting the KoldLok Round 4" separate the unit at the seam by sliding the female section up and off the male section.



Assembling Grommet Around Cable Bundles

4. Place the male section (tapered pin) on the back side of the opening. Fasten the section to the floor tile using two of the self-tapping screws provided. Do not over-torque the screws.
5. Align the female section (tapered hole) with the male section (tapered pin). Slide the female section down until both halves are even with each other. Fasten the female section to the floor tile using the two remaining self-tapping screws. Do not over-torque the screws.



For Sales and Installation, contact:



(800) 328-2256 • www.dataclean.com

Dimensions and Tile Cutting Requirements

Overall Size (diameter x height)

Product Height Above Floor

Useable Penetration Area

Hole Cut Diameter

I-P

5.61" x 1.90"

.40"

9.6 sq in.

4.0"

Metric

142.5mm x 48mm

10mm

6194 sq mm

102 mm