

# KOLDLOK<sup>®</sup>



## KoldLok<sup>®</sup> 5050 Cover with Safety Stripe

Part Number  
10191

### Applications

Designed to seal KoldLok 5050 Grommet openings while cables are waiting to be installed.

### Features

- Tool-less design and center cut out hole allows for easy installation and removal
- Double sided for a reversible application; one side features a caution stripe to increase visibility and encourage safety while the other side features a black surface for less visibility
- Durable powder-coated finish allows the cover to be re-used for future applications



### Benefits

- Easy to install and remove
- Double sided design
- Reusable
- Promotes safety and decreases accidents from occurring

### Safety Features

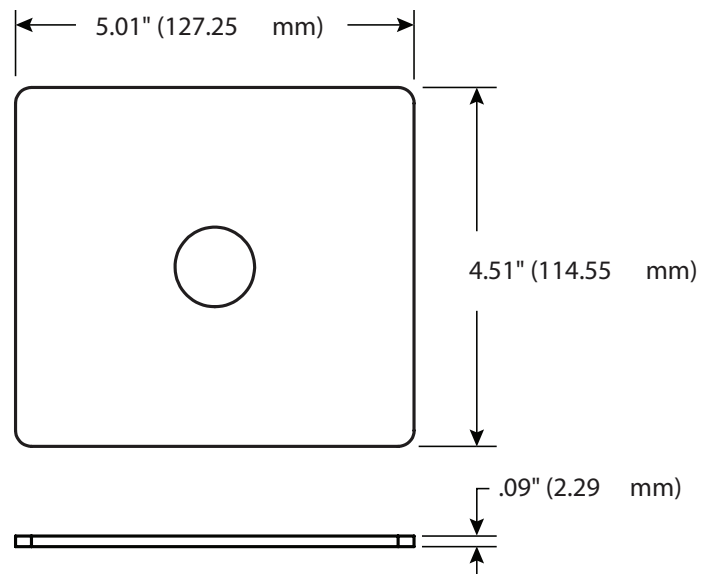
Bright yellow and black stripe promotes safety and brings attention to all data center personal to proceed with caution

### Specifications

Part Number	Description	Dimensions	Quantity per Carton	Shipping Weight
10191	5050 Cover with Safety Stripe	5.01" x 4.53" x .09" (127.25mm x 114.55mm x 2.29mm)	10	4.6 lbs.

### Floor Mounting System

Lays on top of the inner frame lip of a 1010/4040 grommet without the use of any tools



Designer and Manufacturer  
888.982.7800  
www.upsite.com

For Sales and Installation, contact:



(800) 328-2256 • www.dataclean.com